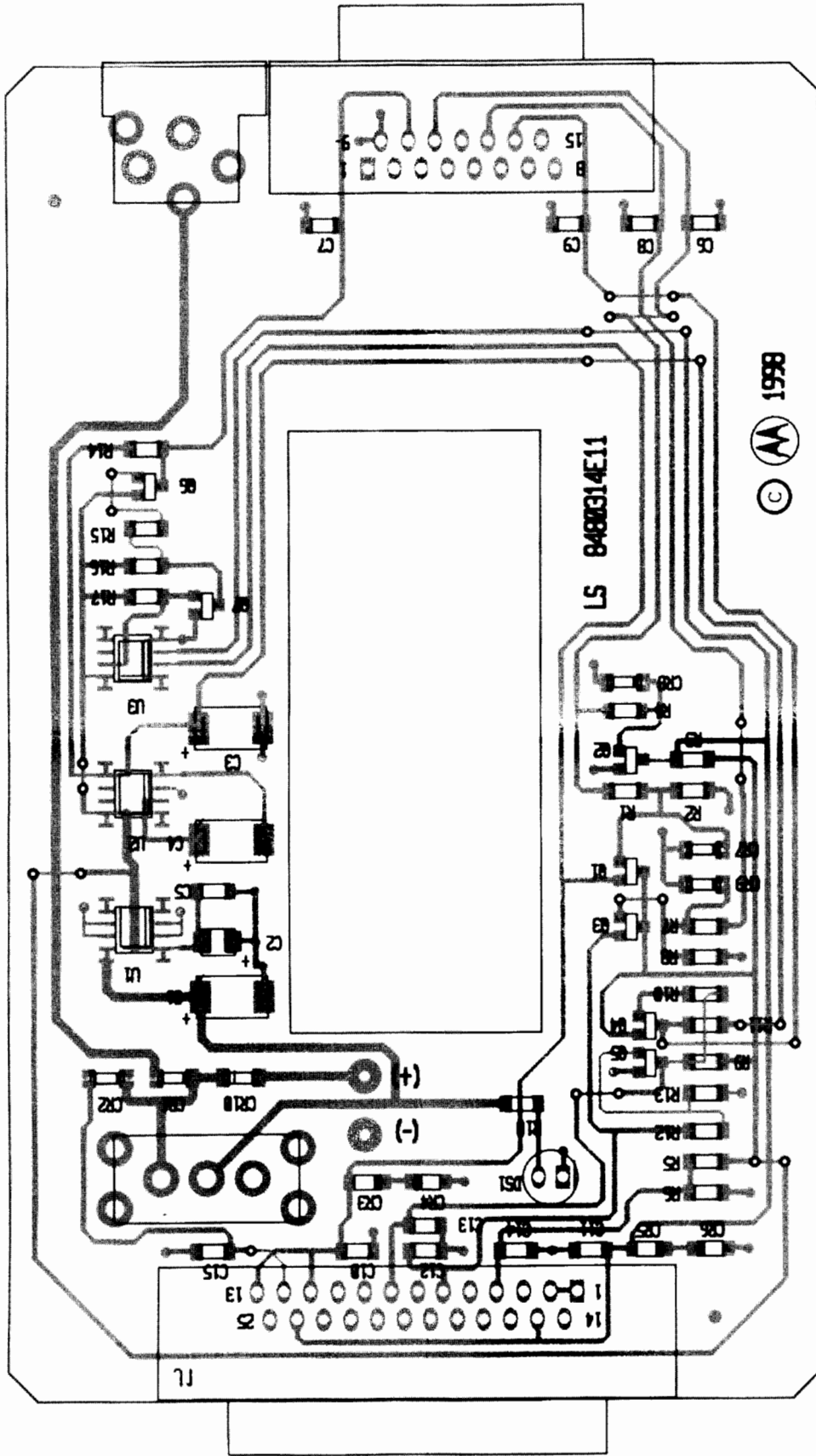


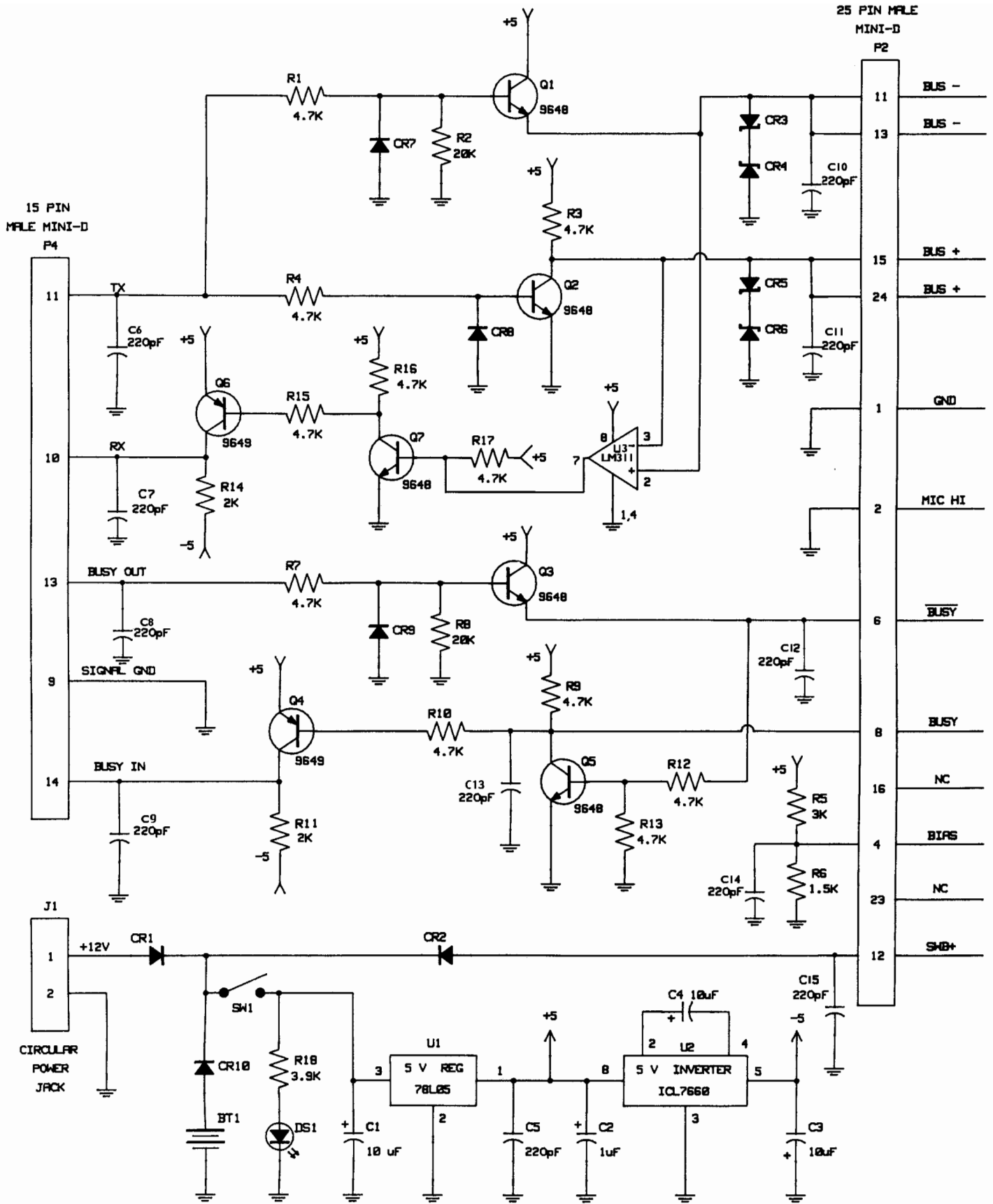
CIRCUIT BOARD COMPONENT LAYOUT DIAGRAM



PARTS LIST

NEW SMD PCB LAYOUT FOR 8480314E11 (RLN4008D)		
Ref No.:	Motorola Part No.#	Description
C1, C3, C4	2311049A19	10 μ F 25V
C2	2311049A08	1 μ F 35V
C5	2113740B57	220pF 50VDC
C6, C7, C8, C9, C10, C11	2113740B57	220pF 50VDC
C12, C13C, C14, C15		
CR1, CR2, CR7, CR8, CR9, CR10	4880066M01	1N4148
CR3, CR4, CR5, CR6	4813830C19	7.5V 500mW
DS1	4880379B06	LED Red
J1	0980378B40	Jack Power
D3	0980382B42	Connector Battery
P2	2880372E55	Conn Sub "D" 25 Pin
P4	2808401M44	Conn Sub "D" 15 Pin
Q1, Q2, Q3, Q5, Q7	4813824A13	GEN PUR NPN 80V 0.5A (MMBTA06LT)
Q4, Q6	4813824A22	GEN PUR PNP 80V 0.5A (MMBTA56LT)
R1, R3, R4, R7, R9, R10	0611077A90	Resistor 4.7K 5% 1/8W
R12, R13, R15, R16, R17		
R2, R8	0611077B06	Resistor 20K 5% 1/8W
R5	0611077A85	Resistor 3.0K 5% 1/8W
R6	0611077A78	Resistor 1.5K 5% 1/8W
R11, R14	0611077A81	Resistor 2.0K 5% 1/8W
R18	0611077A88	Resistor 3.9K 5% 1/8W
S1	4080382B11	Switch
U1	5113816A03	78L05 Volt. Reg. 100mA
U2	5105469E45	ICL 7660 Invert
U3	5184785R26	LIN COMPARATOR LM311D

Non referenced Items		
	0310945A14	Screw Tapping P3, 12x1, 27x16
	1580380B40	Housing
	4280382B43	Retainer Battery
	6480382B12	Cover Battery Comp.



RADIO INTERFACE BOARD SCHEMATIC